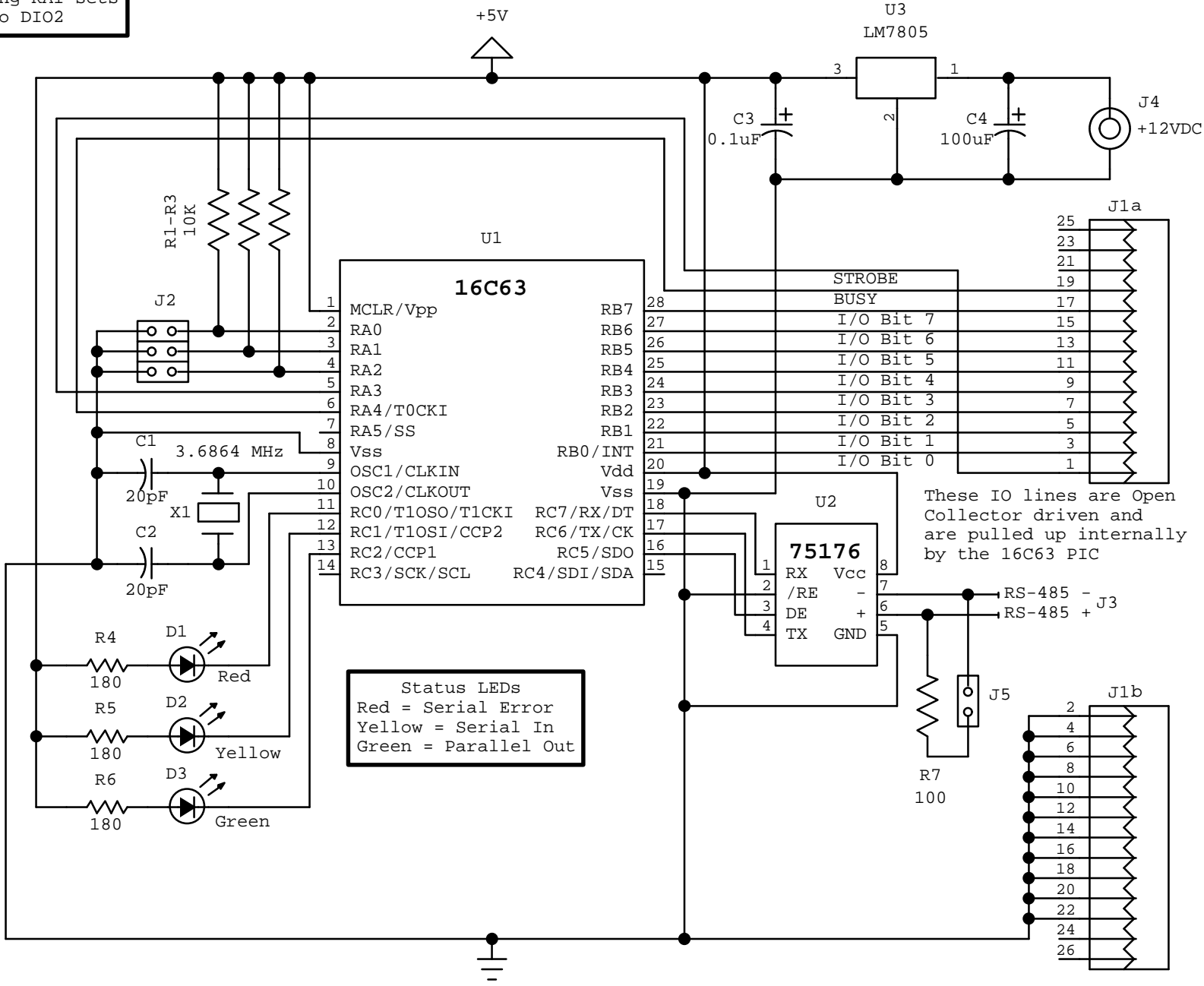


A B C D E

PIC-DIO
PIC Based DIO-Link for HCS Home Automation
(c) 1998-99 Creative Control Concepts

Set the module's network address using header J2
Thus, grounding RA1 sets the address to DIO2



Status LEDs
Red = Serial Error
Yellow = Serial In
Green = Parallel Out

These IO lines are Open Collector driven and are pulled up internally by the 16C63 PIC

A B C D E

1

2

3

4

1

2

3

4